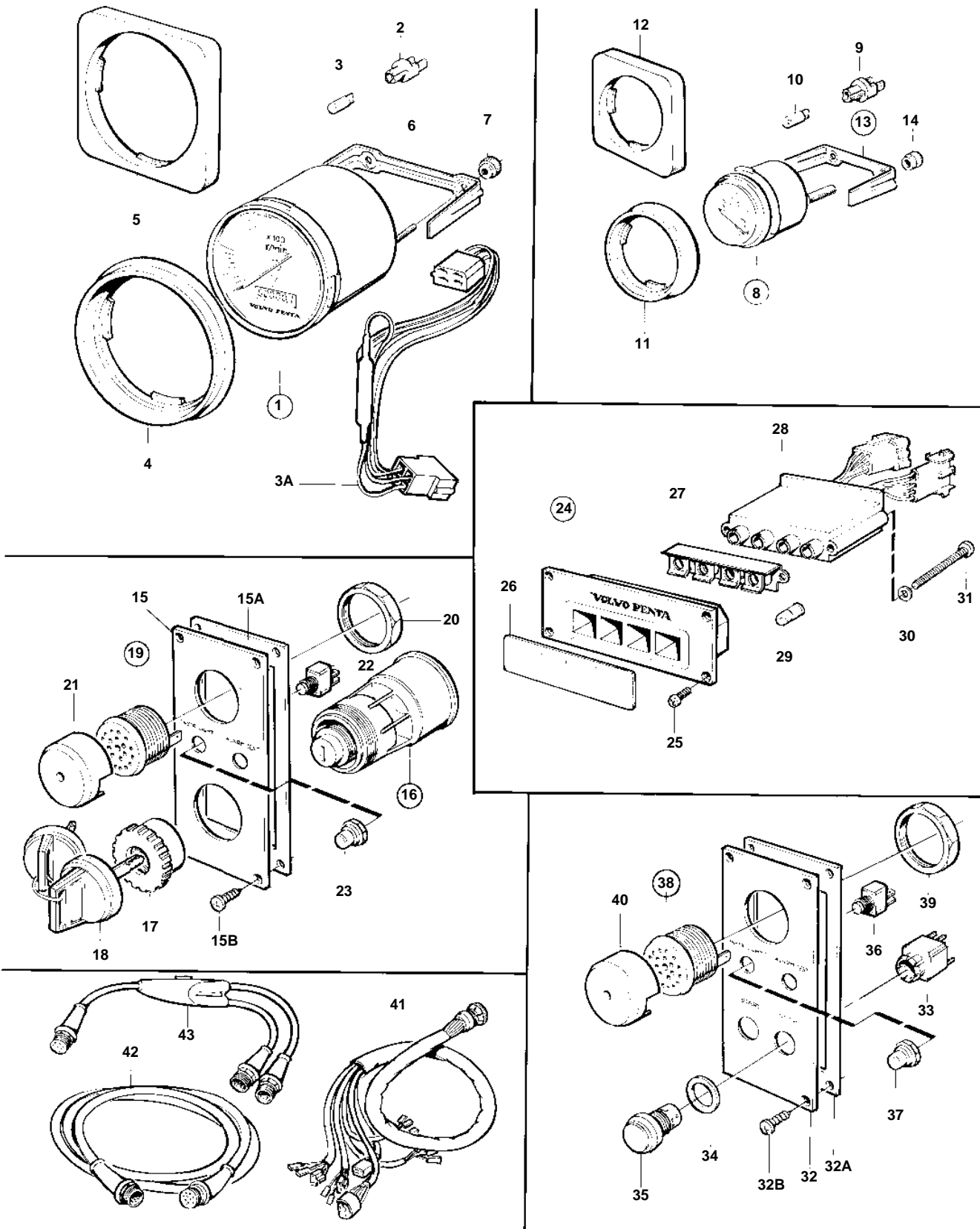


TAMD71B, TAMD73P-A, TAMD73WJ-A



16152

## TAMD71B, TAMD73P-A, TAMD73WJ-A

| REF | PART NO. | QTY | DESCRIPTION                      | SEE SEC. | NOTES   |
|-----|----------|-----|----------------------------------|----------|---|
| 1   | 873586   | 1   | Rev counter kit                  |          | REPLACED BY 876750. Replaced by 1 ea tachometer kit 876750. |
| 1   | 876750   | 1   | Rev counter kit                  |          | REPL BY 873998. 3400 RPM                                    |
|     | 873998   | 1   | Rev counter kit                  |          | 3400 RPM  |
| 2   | 863945   | 1   | • Bulb socket                    |          |   |
| 3   | 863946   | 1   | • Bulb                           |          | 12V, 1,2W RED   |
| 3A  | 873695   | 1   | • Diode cable                    |          |   |
| 4   | 873517   | 1   | Front ring                       |          | ALT, D=75mm   |
| 5   |          | 1   | Instrument frame                 |          | ALT, D=75mm   |
| 6   | 873208   | 1   | Retainer                         |          |   |
| 7   |          | 2   | • Nut                            |          |   |
| 8   | 873195   | 1   | Temperature gauge                |          | 40-120°C  |
|     | 873197   | 1   | Oil pressure gauge               |          | 10x100kPa   |
|     | 873201   | 1   | Oil pressure gauge, reverse gear |          | 30x100kPa   |
|     | 873199   | 1   | Voltmeter                        |          |   |
|     | 873205   | 1   | Turbo pressure gauge             |          |   |
|     |          |     |                                  |          |   |
|     |          |     |                                  |          |   |
| 9   | 863945   | 1   | • Bulb socket                    |          |   |
| 10  | 863946   | 1   | • Bulb                           |          |   |
| 11  | 858643   | 1   | Front ring                       |          | ALT, D=52mm   |
| 12  | 856822   | 1   | Instrument frame                 |          | ALT, D=52mm   |
| 13  | 873207   | 1   | Retainer                         |          |   |
| 14  |          | 2   | • Nut                            |          |   |
| 15  | 873271   | 1   | Panel                            |          |   |
| 15A | 873273   | 1   | Gasket                           |          |   |
| 15B | 828647   | 4   | Screw                            |          |   |
| 16  | 864277   | 1   | Starter switch                   |          |   |
| 17  | 859955   | 1   | • Plastic nut                    |          |   |
| 18  | 859953   | 2   | • Key                            | SO       | State key code when ordering.                               |
|     |          |     | • Bulletin 49-30                 | 49-30-EN | Key P/N 859953  |
| 19  | 828587   | 1   | Buzzer                           |          |   |
| 20  |          | 1   | • Nut                            |          |   |
| 21  | 858795   | 1   | Protecting casing                |          |   |
| 22  | 828584   | 1   | Switch                           |          | ALARM TEST  |
|     | 828585   | 1   | Switch                           |          | INSTR. LIGHT  |
| 23  | 828586   | 2   | Nut                              |          |   |
| 24  | 858876   | 1   | Symbol panel                     |          |   |
| 25  | 828647   | 4   | • Screw                          |          |   |
| 26  | 858645   | 1   | • Symbol strip                   |          |   |
| 27  | 828784   | 1   | Reflector                        |          |   |
| 28  | 873737   | 1   | Electronic unit                  |          | (873209)  |
| 29  | 19923    | 4   | Bulb                             |          |   |
|     |          |     |                                  |          |   |
| 30  | 941904   | 2   | Spring washer                    |          |   |
| 31  | 941615   | 2   | Screw                            |          |   |
| 32  | 873272   | 1   | Panel                            |          |   |
| 32A | 873273   | 1   | Gasket                           |          |   |
| 32B | 828647   | 4   | Screw                            |          |   |
| 33  | 876950   | 1   | Push button                      |          | START, GREEN  |
|     | 876950   | 1   | Push button                      |          | STOP, RED   |
| 34  |          | 2   | • Gasket                         |          |   |
| 35  |          | 2   | • Push button                    |          |   |
| 36  | 828584   | 1   | Switch                           |          | ALARM TEST  |
|     | 828585   | 1   | Switch                           |          | INSTR. LIGHT  |
| 37  | 828586   | 2   | Nut                              |          |   |

TAMD71B, TAMD73P-A, TAMD73WJ-A

| REF | PART NO. | QTY | DESCRIPTION       | SEE SEC. | NOTES        |
|-----|----------|-----|-------------------|----------|--------------|
| 38  | 828587   | 1   | Buzzer            |          |              |
| 39  |          | 1   | • Nut             |          |              |
| 40  | 858795   | 1   | Protecting casing |          |              |
| 41  | 873579   | 1   | Wiring harness    |          | MAIN STATION |
|     | 873580   | 1   | Wiring harness    |          | FLY BRIDGE   |
| 42  | 846648   | X   | Extension cable   |          | L=3,0m       |
|     | 846649   | X   | Extension cable   |          | L=5,0m       |
|     | 846650   | X   | Extension cable   |          | L=7,0m       |
|     | 873838   | X   | Extension cable   |          | L=9,0m       |
|     | 873839   | X   | Extension cable   |          | L=11,0m      |
| 43  | 1140598  | X   | Y-koppling        |          |              |